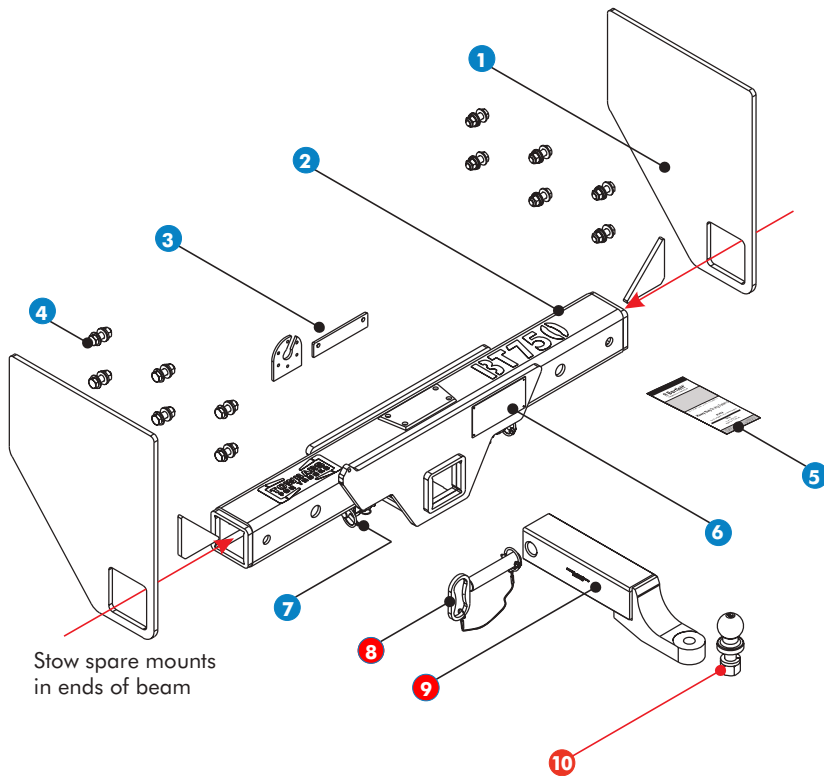


BT750 TOWBAR SYSTEM

MULTI-COUPLING CONVERTER Max. 7,000kg ATM

ASSEMBLY DIAGRAM



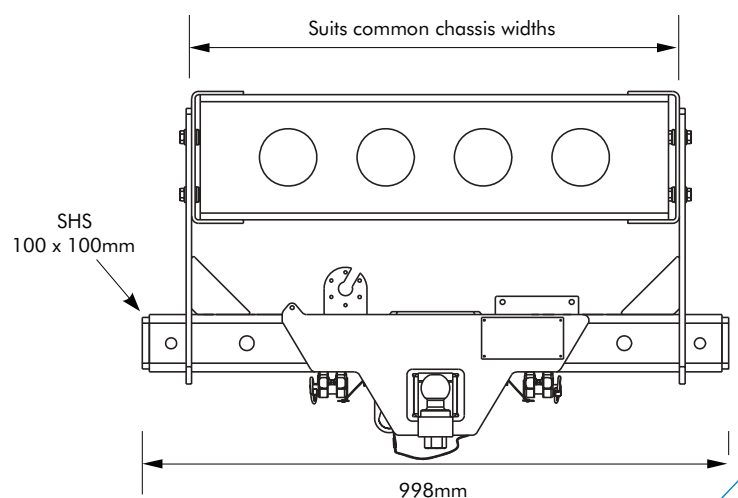
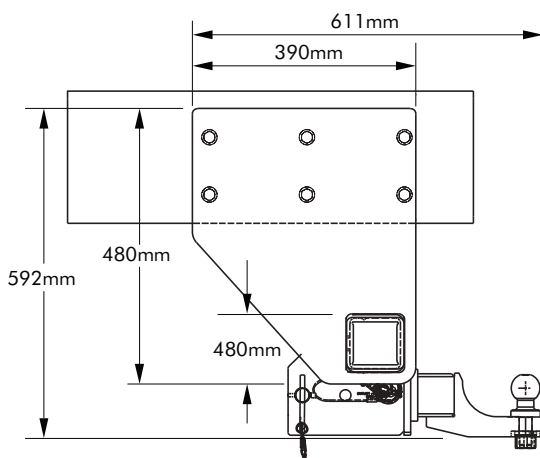
ITEM	DESCRIPTION
1	Side Plates and Gussets
2	Crossmember Assembly (inc. item 5)
3	7 Pin Base and Air Coupling Mount Plates
4	Sideplate Bolt Set
5	Detailed instruction booklet
6	Rating Plate
7	Bartlett ADR62 Safety Chain Attachments
8	BTU-0305 Draw Pin Assembly
9	BT750-50M-L Coupling Mount Suits 50mm Ball Max. 3,500kg ATM

Items not included in kit (separate purchase)

10 50mm Ball (AS4177)

8,9,10 — Not included in towbar kit

DIMENSIONS



Drawing not to scale. Sideplate mounting holes not included. (May be customised).

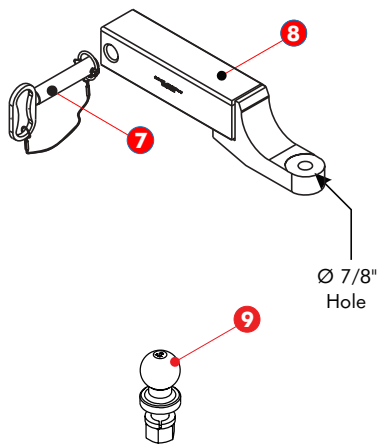
BT750 TOWBAR SYSTEM

COUPLING MOUNT OPTIONS Max. 7,000kg ATM

MOUNT 50mm BALL

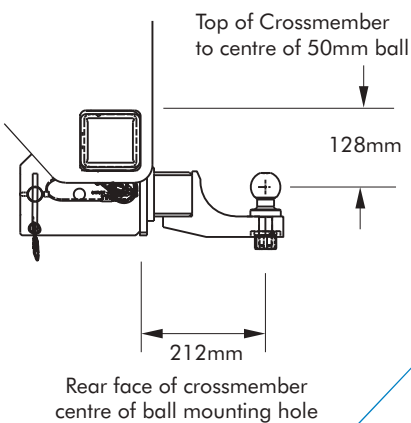
3,500kg ATM

Mount not included in Towbar Kit



ITEM	DESCRIPTION
7	BTU-0305 Draw Pin Assembly
8	BTU750-50M-L Coupling Mount (16kg)
9	50mm Ball (AS4177) - not included

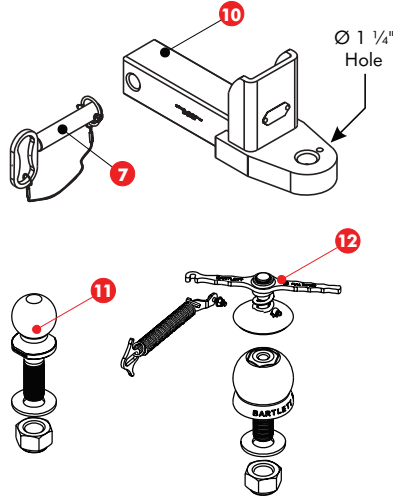
DIMENSIONS



MOUNT 95 OR 70mm BALL

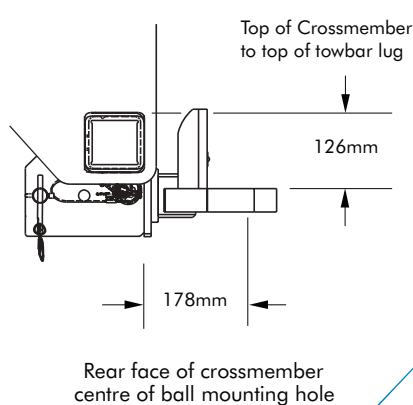
7,000kg ATM

Mount not included in towbar kit - purchase separately



ITEM	DESCRIPTION
7	BTU-0305 Draw Pin Assembly
10	BTU750-95M-H Coupling Mount (19kg)
11	70mm Ball - not included in kit
12	95mm Bartlett Ball - not included in kit

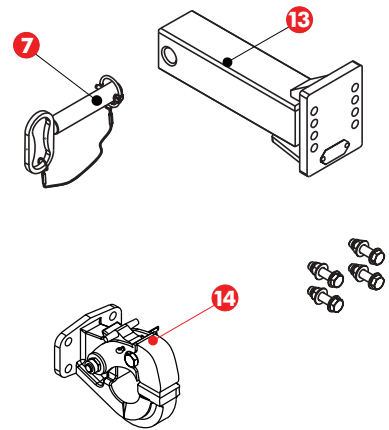
DIMENSIONS



MOUNT PINTLE HOOKS

7,000kg ATM

Mount not included in towbar kit - purchase separately



ITEM	DESCRIPTION
7	BTU-0305 Draw Pin Assembly
13	BTU750-PHM Coupling Mount (17kg) not included in kit
14	Pintle Hook - not included in kit

DIMENSIONS

