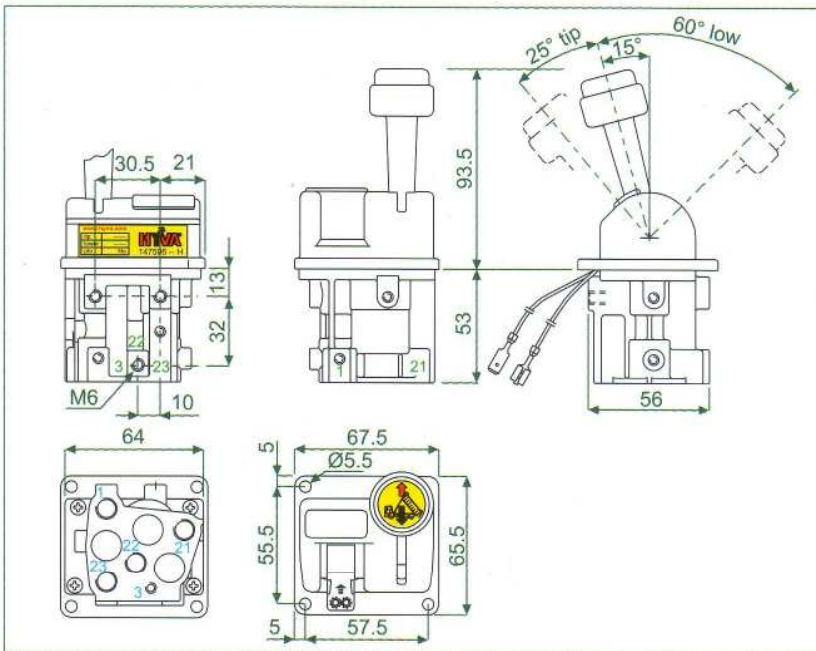


Hyva Air Controls

2-section air controls

Proportional air control 2 sections (P.T.O. & tipping valve control)

Part no.	Description	Max. press. (bar)	Min. press. (bar)	Ports				
				(1)	(3)	(21)	(22)	(23)
147 50 644 H	Control pneumatic - 2 - TF/LF - PN	12 bar	5 bar	G1/8"	M5	G1/8"	G1/8"	G1/8"
147 50 650 H	Control pneumatic - 2 - TF/LF - PA Auto disengage	12 bar	5 bar	G1/8"	M5	G1/8"	G1/8"	G1/8"



- 1 : air inlet
- 3 : air exhaust
- 21 : lowering connection
(to tipping valve)
- 22 : tipping connection
(to tipping valve)
- 23 : working port P.T.O.



Air kit 1 section control for valve

Part no.	Description	Qty.
147 52 141 K	Air kit for valve consisting of:	
148 10 517	Coupling for air control 1/8" 4x6	4
148 10 515	Coupling for air control M5" 4x6	1
148 75 007 20	Air tube 6x4 (20 m)	1
148 75 500	Air tube tie	4

Air kit 2-section controls for P.T.O. & valve

Part no.	Description	Qty.
147 50 119 K	Air kit for P.T.O./valve consisting of:	
148 10 517	Coupling for air control 1/8" 4x6	5
148 10 515	Coupling for air control M5" 4x6	1
148 75 007 25	Air tube 6x4 (25 m)	1
148 75 500	Air tube tie	8



Air kit 1 section control for P.T.O.

Part no.	Description	Qty.
147 51 094 K	Air kit for P.T.O. consisting of:	
019 15 307	Elbow coupling for air control M12-6mm	4
148 75 007 15	Air tube 6x4 (15 m)	1
148 75 500	Air tube tie	4