



Drawbar Eyes



40mm

50mm



Weld In & Demountable

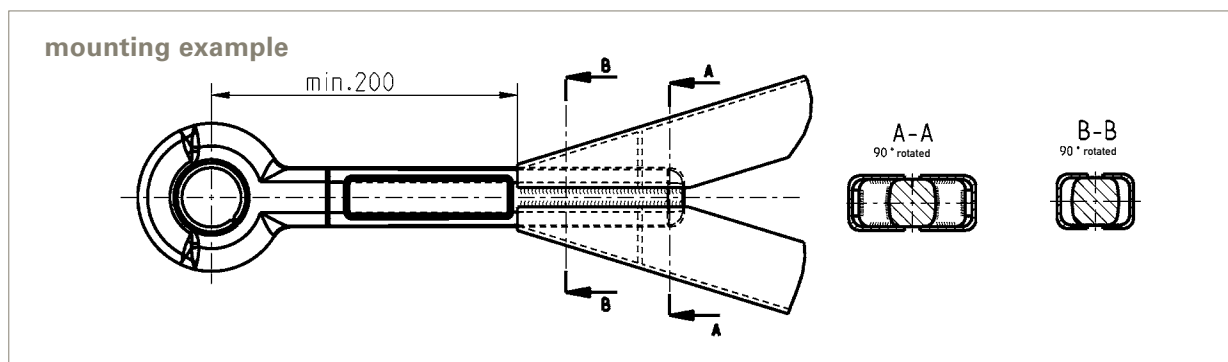
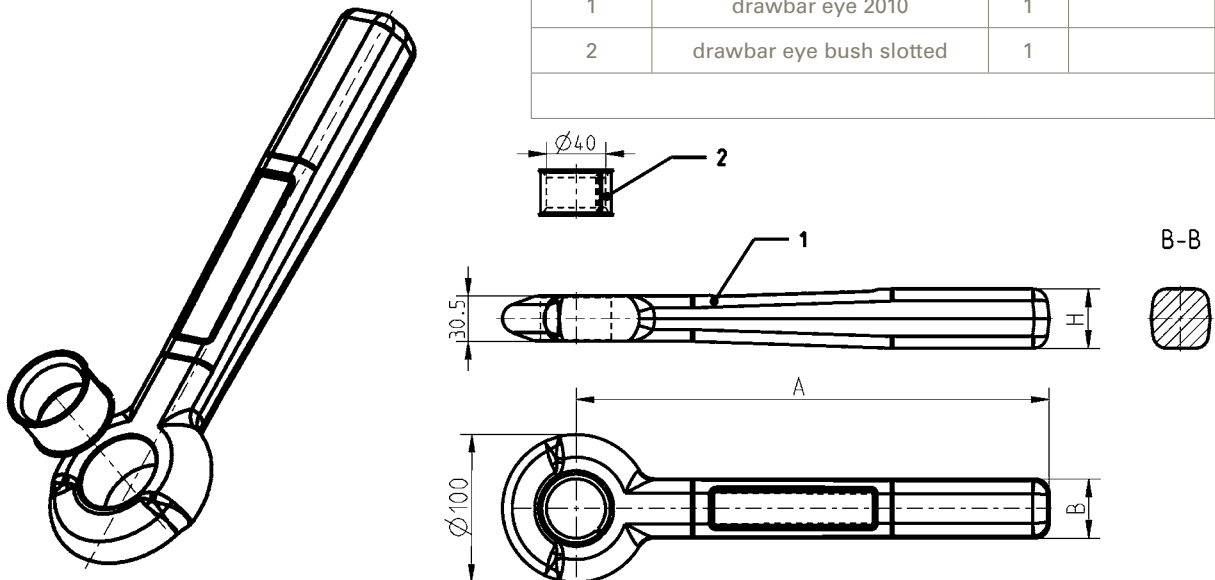


drawbar eye series 2010

directive 94/20/EG / class S DIN 74054-40A / material St52-3 (no. 1.0570) / with bush 40 mm

order no.	shaft cross section H x B mm	length Amm	weight kg	D-value kN	parameters for centre-axle trailer			EEC type approval
					vertical drawbar load S kg	Dc-value kN	Dv-value kN	
201031	65 x 60	335	7.9	125	1000	74	23	e1 0 0-07 44

parts list			
item no.	description	unit	order no.
	drawbar eye 2010 completely with no. 1 and 2	1	2010_ _ *
1	drawbar eye 2010	1	
2	drawbar eye bush slotted	1	



drawbar eye series 2015 EEC type approval e1 00-0691

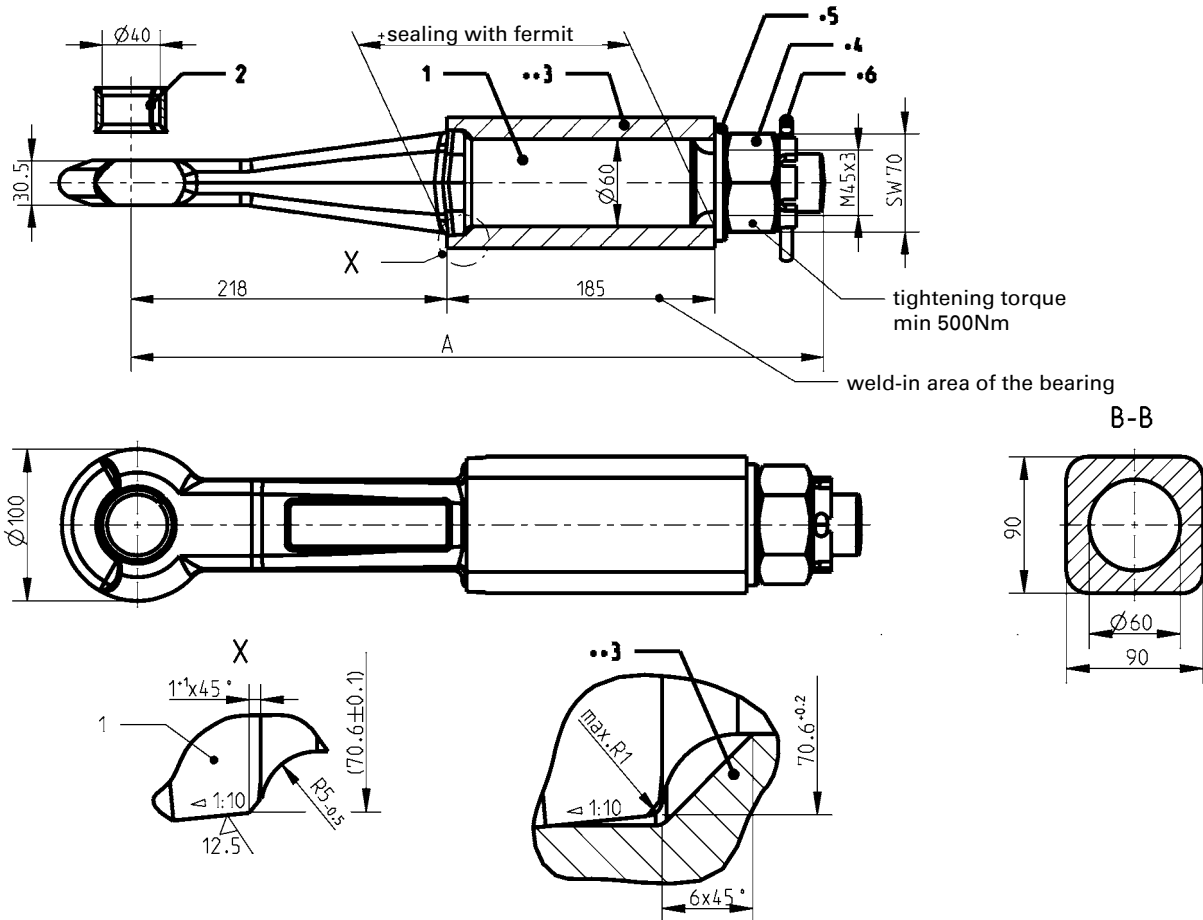
directive 94/20/EG / class S DIN 74054-40B / material Ck45 (no. 1.1191) / with bush 40 mm

order no.	shaft cross section \varnothing mm	length A mm	weight kg	D-value kN
201581	60	475	9.8	125

parameters for centre-axle trailers	
vertical drawbar load S kg	1000
Dc-value kN	74
V-value kN	23

parts list			
item no.	description	unit	order no.
	drawbar eye 2015 completely with no. 1 and 2	1	201581
1	drawbar eye 2015	1	
2	drawbar eye bush slotted	1	741274054
3*	bearing for drawbar eye	1	47271000
4	castle nut M45x3	1	47271001
5	disc A46	1	47271002
6	splint pin \varnothing 8 x 80	1	47271003

* can be delivered additionally if required



drawbar eye series 201653 EEC type approval e1 00-0692

directive 94/20/EG / class S DIN 74054-40D / material 42CrMoS4 (no. 1.7227) / with bush 40 mm

For mechanical drawbar couplings 40 according to DIN 74051 part no. 1, for non-mechanical drawbar couplings according to DIN 11025, for drawbar couplings (multi-purpose couplings) according to DIN 11028 and for the use with breakdown couplings or type-approved drawbar couplings which are approved for mounting according to DIN 74054 or identically constructed drawbar eyes.

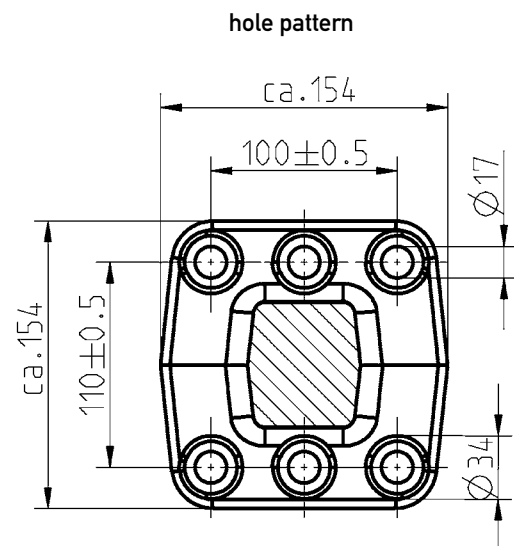
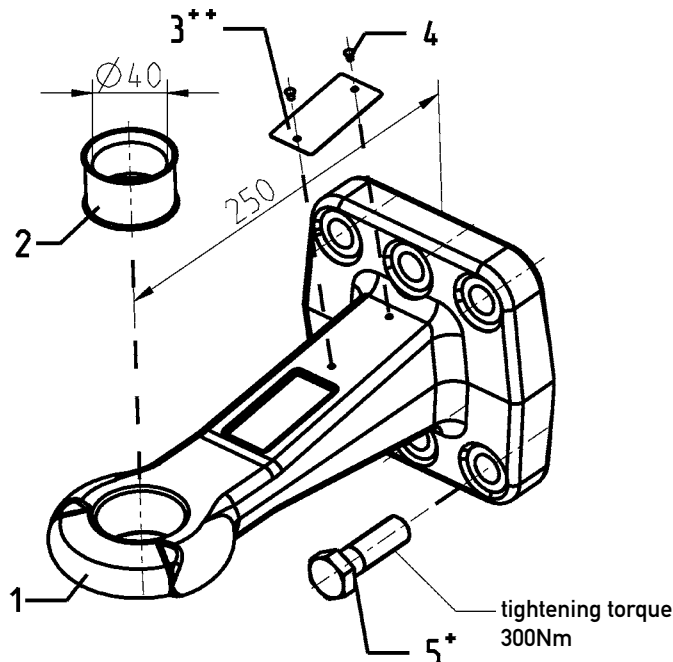
order no.	shaft cross section H x B mm	length mm	weight kg	speed km/h	D-value kN	parameters for centre-axle trailers			
						vertical drawbar load S kg	Dc-value kN	V-value kN	gross vehicle weight kg
201653	67 x 60	250	9.6	over 25	125	1000	100	40	-
general design certification ~ N2075									
				up to 25	125	2000	89.3	-	14000

parts list			
item no.	description	unit	order no.
	drawbar eye 2016 completely with no. 1, 2 and 3	1	201653
1	drawbar eye 2016	1	
2	closed drawbar eye bush	1	741274056
3**	type plate	1	771201653
4	grooved pin $\varnothing 3 \times 5$ - Al	2	DIN EN 28746
5*	hexagon head screw M16x50	6	DIN EN 24014 Fk. 8.8

* these parts are not included in delivery

** in case of loss of the type plate please tell us the complete identification marking that is forged in and provide us with a copy of the delivery note.

on presentation of damaged or unusable type plates we will provide you with replacement.



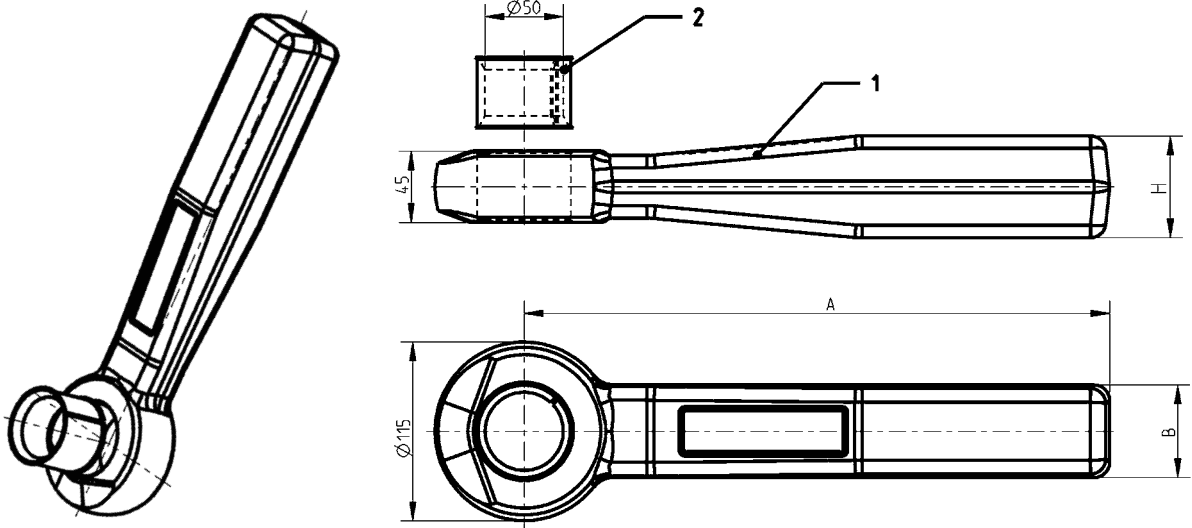
drawbar eye series 2030 EEC type approval e1 00-1553

directive 94/20/EG / class D50-X / material St52-3 (no. 1.0570) / with bush 50 mm

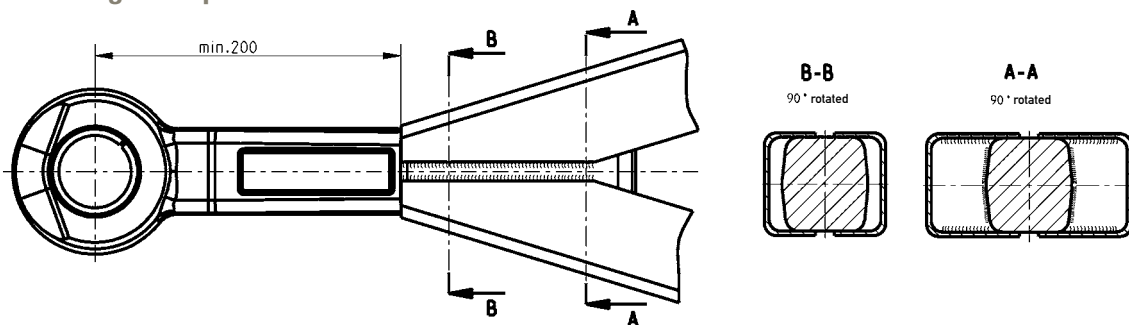
order no.	shaft cross section H x B mm	length A mm	weight kg	D-value kN
203031	65 x 60	375	10.6	190

parameters for centre-axle trailers	
vertical drawbar load S kg	1000
Dc-value kN	90
V-value kN	30

parts list			
item no.	description	unit	order no.
	drawbar eye 2030 completely with no. 1 and 2	1	203031
1	drawbar eye 2030	1	
2	drawbar eye bush slotted	1	741274053



mounting example

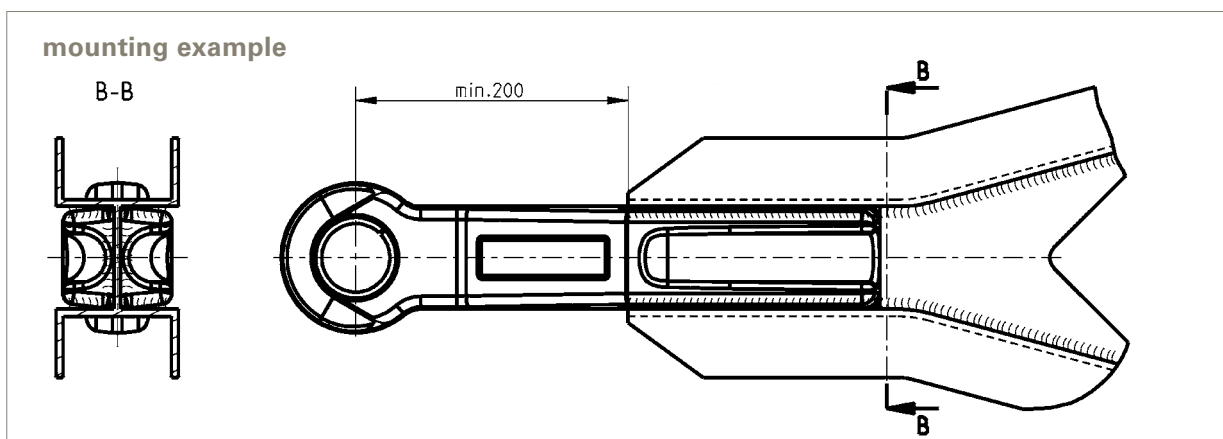
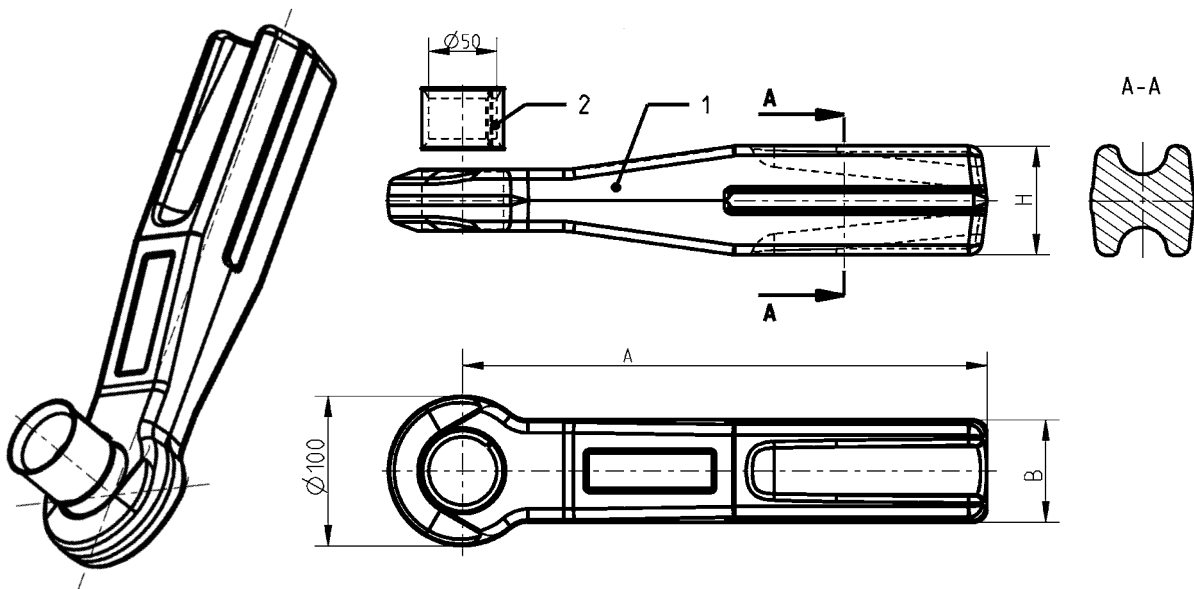


drawbar eye series 2031 EEC type approval e1 00-0693

directive 94/20/EG / class S / material St52-3 (no. 1.0570) / with bush 50 mm

order no.	shaft cross section H x B mm	length A mm	weight kg	D-value kN
203141	80 x 75	385	13.5	314

parts list			
item no.	description	unit	order no.
	drawbar eye 2031 completely with no. 1 and 2	1	203141
1	drawbar eye 2031	1	
2	drawbar eye bush slotted	1	



drawbar eye series 2035 EEC type approval e1 00-0627

directive 94/20/EG / class D50-B similar to DIN 74053-50B / material Ck45 (no. 1.1191)

with bush 50 mm

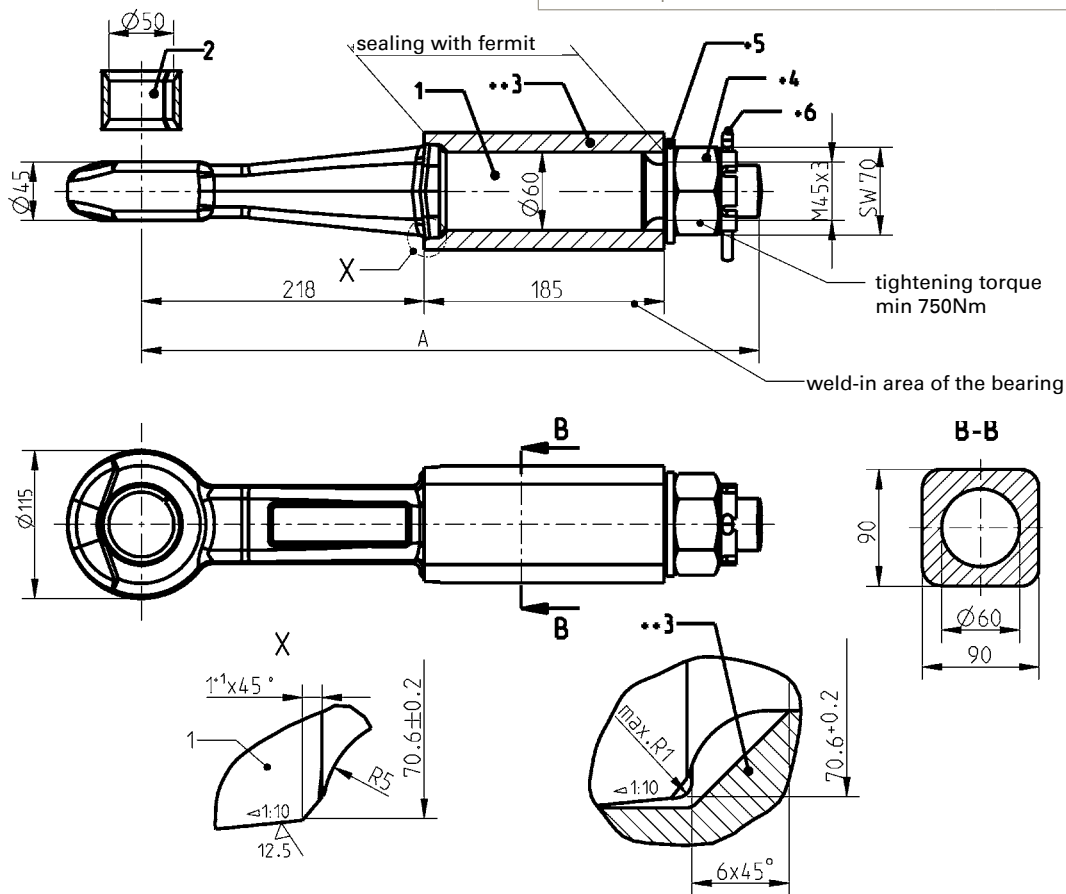
For mechanical drawbar couplings 50 according to DIN 74052-1 and type-approved drawbar couplings which are approved for mounting according to DIN 74053 or identically constructed drawbar eyes.

order no.	shaft cross section \varnothing mm	length A mm	weight kg	D-value kN
203583	60	475	11.2	190

parameters for centre-axle trailers	
vertical drawbar load S kg	1000
Dc-value kN	90
V-value kN	25

parts list			
item no.	description	unit	order no.
	drawbar eye 2035 completely with no. 1 and 2	1	203583
1	drawbar eye 2035	1	
2	drawbar eye bush slotted	1	
3*	bearing for drawbar eye	1	4271000
4	castle nut M45x3	1	47271001
5	disc A46	1	47271002
6	splint pin \varnothing 8 x 80	1	47271003

* can be delivered additionally if required



drawbar eye series 203653 EEC type approval e1 00-0626

directive 94/20/EG / class D50-C / material 42CrMoS4 (no. 1.7227) / with bush 50 mm

order no.	shaft cross section H x B mm	length mm	weight kg	D-value kN
203653	67 x 60	250	11.2	190

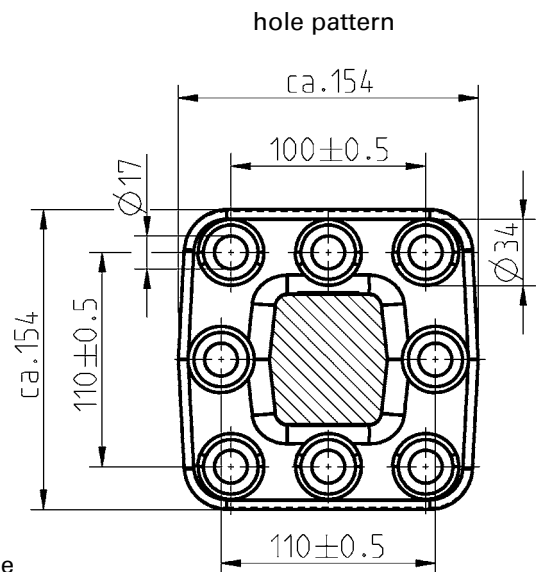
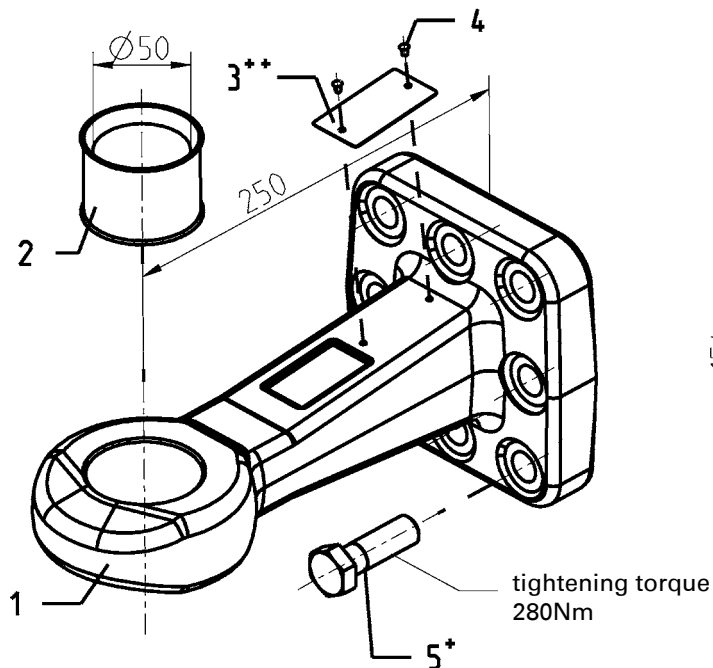
parameters for centre-axle trailers	
vertical drawbar load S kg over 25 km/h	1000
Dc-value kN	120
V-value kN	50

parts list			
item no.	description	unit	order no.
	drawbar eye D50-C completely with no. 1, 2 and 3	1	203653
1	drawbar eye D50-C	1	
2	closed drawbar eye bush	1	741274057
3 **	type plate	1	771203653
4	grooved pin \varnothing 3 x 5 - Al	2	DIN EN 28746
5 *	hexagon head screw M16x50	8	DIN EN 24014 Fk. 10.9

* these parts are not included in delivery

** in case of loss of the type plate please tell us the complete identification marking that is forged in and provide us with a copy of the delivery note.

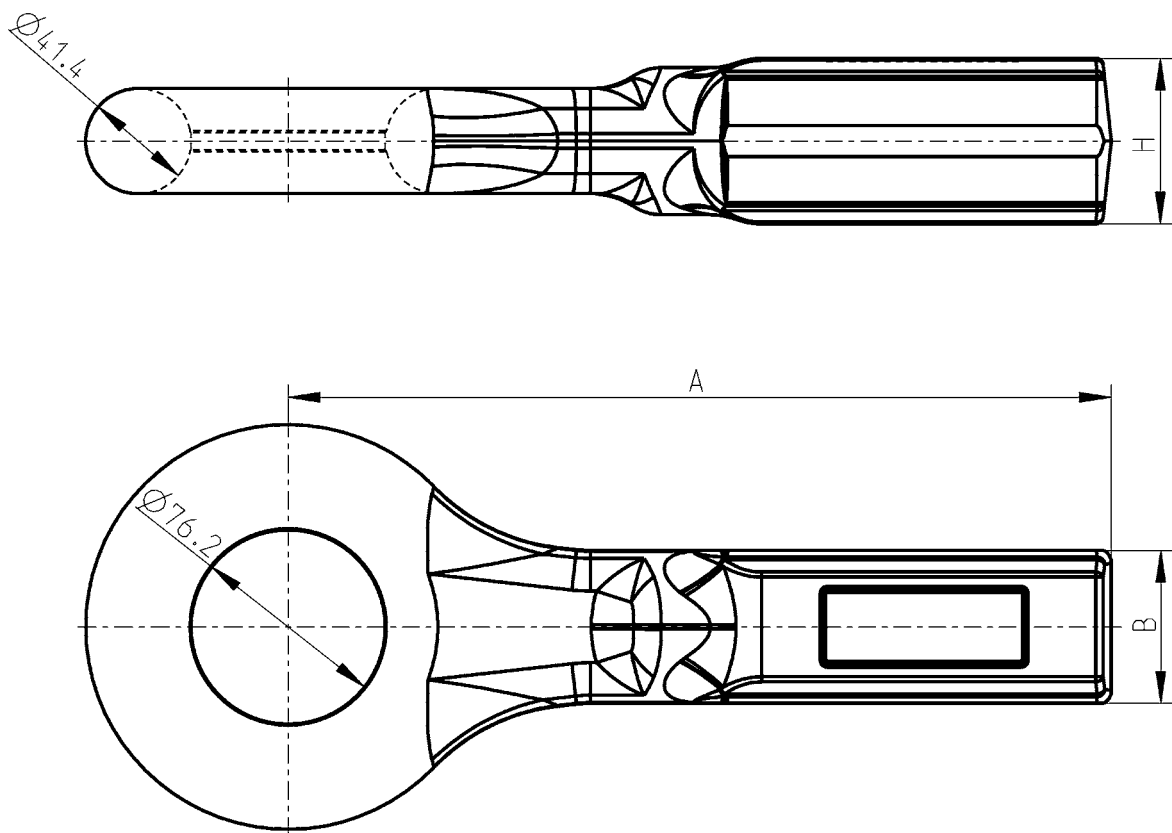
on presentation of damaged or unusable type plates we will provide you with replacement.



drawbar eye series 2040

special drawbar eye / material St52-3 (no. 1.0570) / with NATO eye

order no.	shaft cross section H x B mm	length A mm	weight kg
204014	65 x 65	323	10.1

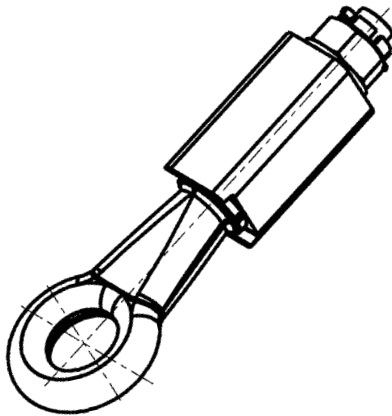


drawbar eye series 2045

material Ck45 (no. 1.1191) / with NATO eye (VG 74059)

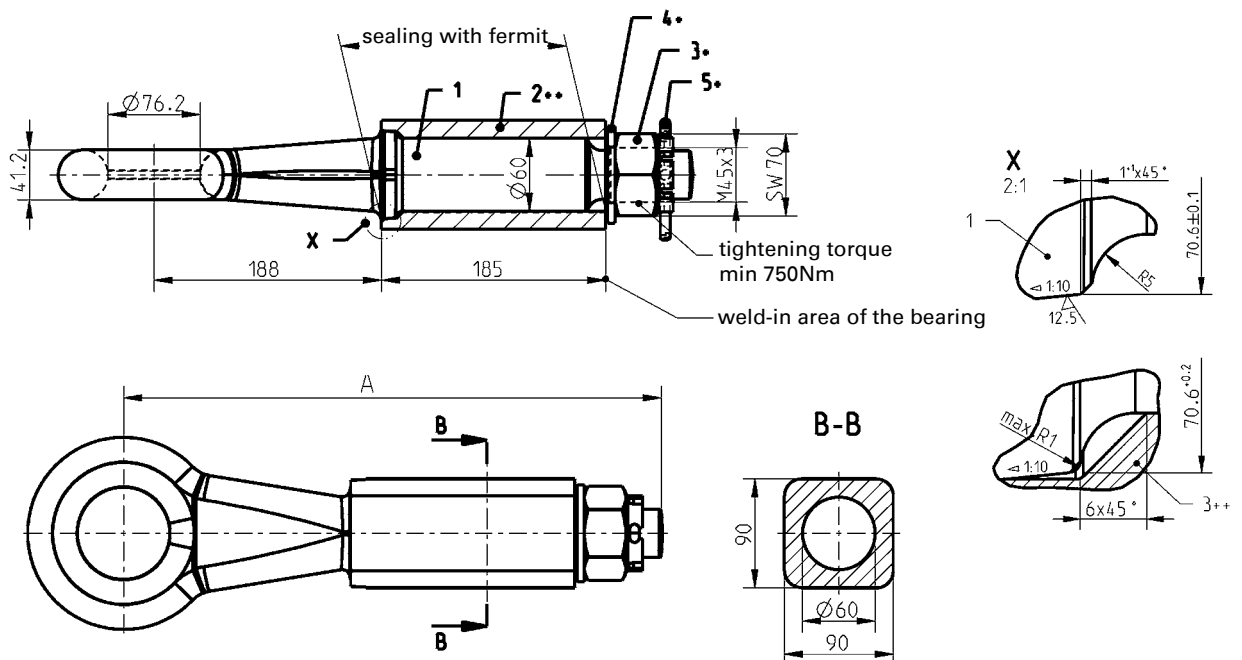
order no.	shaft cross section Ø mm	length A mm	weight kg	D-value kN	statical drawbar load S kg	gross vehicle weight kg
204580	60	445	12,0	120*	1000*	12000

* parameter according to VG 74059



parts list			
item no.	description	unit	order no.
1	drawbar eye 2045	1	
2 *	bearing for drawbar eye	1	47271000
3	castle nut M45x3	1	47271001
4	disc A46	1	47271002
5	splint pin Ø 8 x 80	1	47271003

* can be delivered additionally if required





Wear Gauge Part no: 10990998



PART No	DESCRIPTION	SIZE-mm
10995469	STD BUSH-40MM	48
10995485	1ST O/SIZE-40MM	48.5
10995485SP	SPLIT BUSH-40MM	-
NG01026933	STD BUSH-50MM	60.1
NG01026992	1ST O/SIZE-50MM	60.2
NG01026992-2	2ND O/SIZE -50MM	60.3
NG01026992-3	3RD O/SIZE-50MM	60.4
10996597	STD 50MM	60.3
10996589	1ST O/SIZE-50MM	60.6
10996520	2ND O/SIZE-50MM	60.9
10996570	3RD O/SIZE-50MM	61.2
070.757	SPLIT BUSH -50MM	-