

# 12 Volt Solenoid Power pack



**12V Single Acting**

**12V Double Acting**

5 LITRE  
10 LITRE  
15 LITRE  
20 LITRE

## MOTOR

2500 Watt  
2300 rev / min

Rated Pressure 160 bar  
Max. Pressure 200 bar

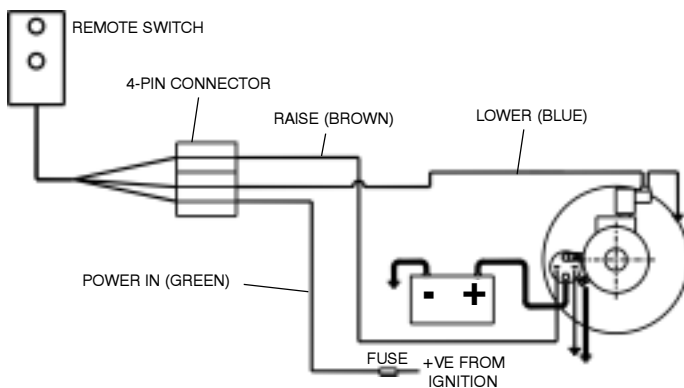
## PUMP

Speed Rated 2000 rev / min  
Speed Max. 2900 rev / min  
Speed Min. 600 rev / min

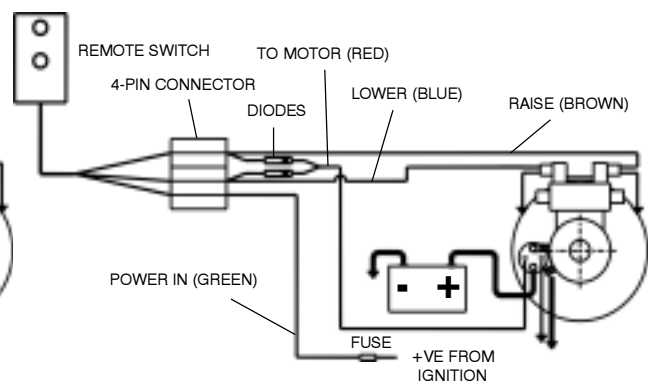
OIL GRADE 46  
4.8 ml / rev

**NOTE** Unit requires additional wiring from Battery to Power Pack, not supplied

### WIRING DIAGRAM FOR SINGLE ACTING SOLENOID VALVES



### WIRING DIAGRAM FOR DOUBLE ACTING SOLENOID VALVES



**Subject to change without notice in the continued product development**

# 24 Volt Solenoid Power pack



**24V Single Acting**

**24V Double Acting**

5 LITRE  
10 LITRE  
15 LITRE  
20 LITRE

## MOTOR

2500 Watt  
2300 rev / min

Rated Pressure 160 bar  
Max. Pressure 200 bar

## PUMP

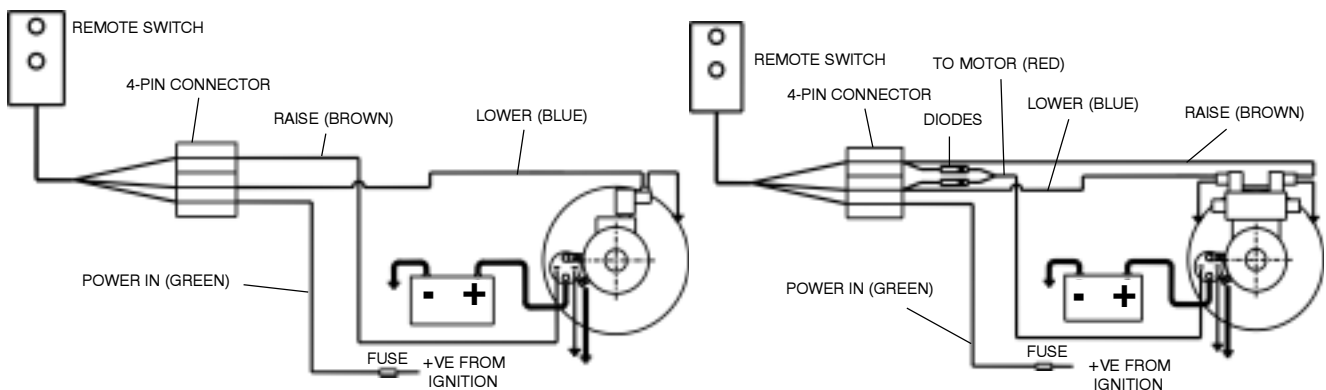
Speed Rated 2000 rev / min  
Speed Max. 2900 rev / min  
Speed Min. 600 rev / min

OIL GRADE 46  
4.8 ml / rev

**NOTE** Unit requires additional wiring from Battery to Power Pack, not supplied

### WIRING DIAGRAM FOR SINGLE ACTING SOLENOID VALVES

### WIRING DIAGRAM FOR DOUBLE ACTING SOLENOID VALVES



Subject to change without notice in the continued product development