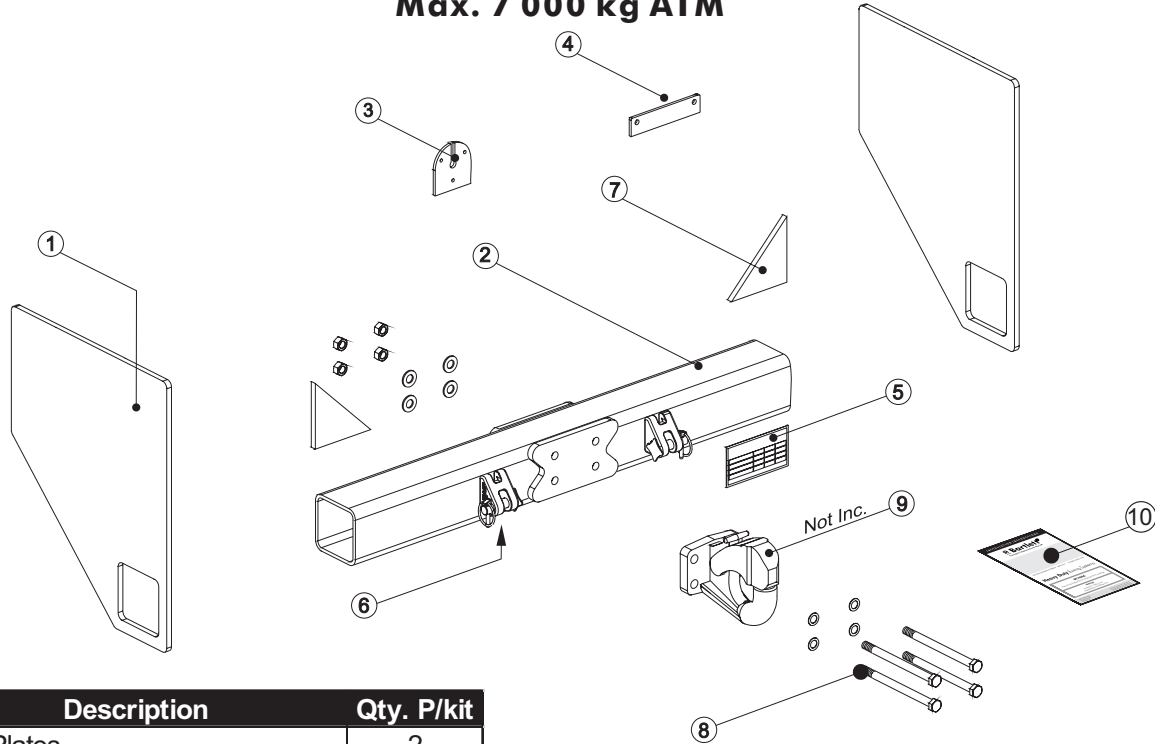


BT1200H

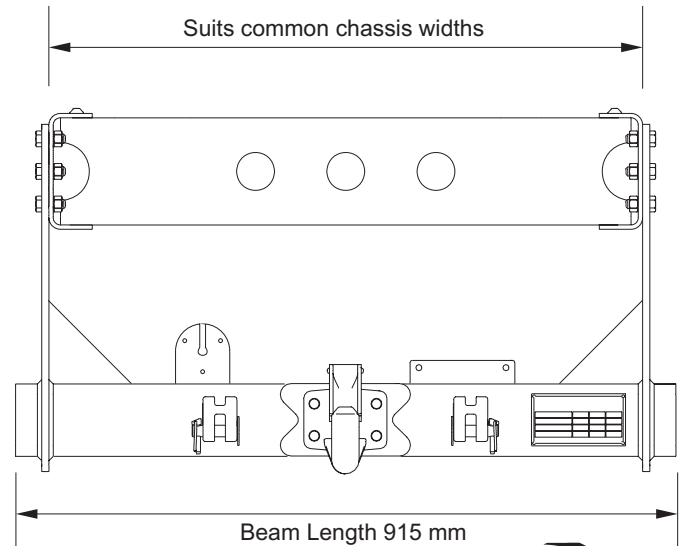
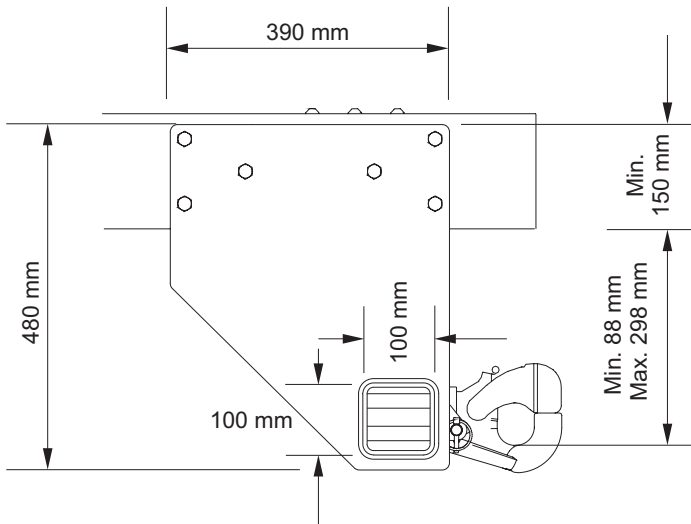
Suits Approved Pintle Hooks
Max. 7 000 kg ATM



Rating:
 Maximum 7 000 kg A.T.M.
Shipping Mass Inc Pallet = 50 kg.

Pintle hook holes \varnothing 12.7 mm - Pattern centres 86mm X 44.3 mm

Item	Description	Qty. P/kit
1	Side Plates	2
2	Cross member	1
3	7 Pin Base Mount Plate	1
4	Air Coupling Mount Plate	1
5	Rating Plate & Studs	1 Set
6	13mm Safety Chain Attachments	2
7	Lateral Support Gussets	2
8	Coupling Mounting Bolts	1 Set
9	Pintle Hook Coupling	Not Inc.
10	Detailed Instruction Booklet	1



* Sideplate mounting holes/bolts and pintle hook coupling not included - shown for illustration purpose only

*BTI reserves the right to alter specifications without notice.