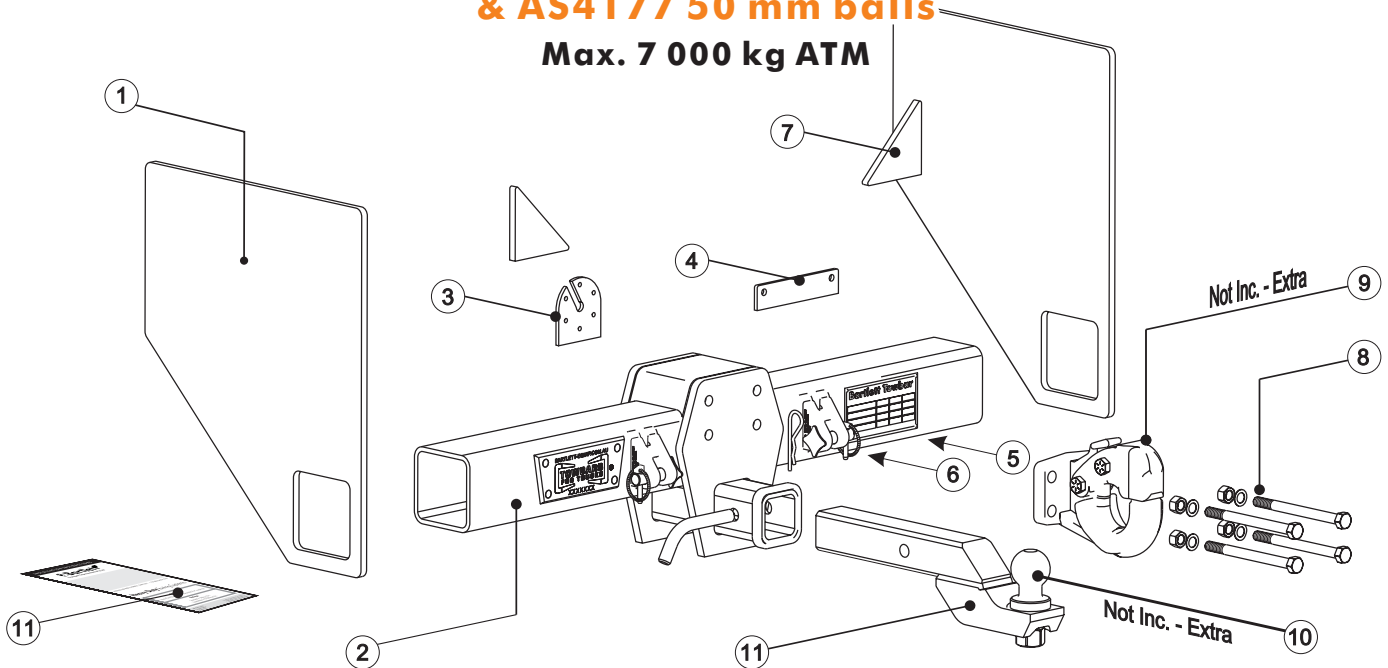


## BT1250H

**Suits Approved Pintle Hooks  
& AS4177 50 mm balls**  
**Max. 7 000 kg ATM**



Item	Description	Qty. P/kit
1	Side Plates	2
2	Cross member	1
3	7 Pin Base Mount Plate	1
4	Air Coupling Mount Plate	1
5	Rating Plate & Studs	1 Set
6	13 mm Safety Chain Attachments	2
7	Lateral Support Gussets	2
8	Coupling Mounting Bolts - Pintle Hook	1 Set
9	Pintle Hook Coupling	Not Inc.
10	50 mm Ball	Not Inc.
11	Ball Mount, Locking Pin & R-Clip	1
12	Detailed instruction booklet	1

### Rating:

**Pintle Hook Max. 7 000 kg A.T.M.**

**50 mm Ball Max. 3 500 Kg Limited when GVM exceeds 5000 kg**

### Shipping Mass Inc Pallet = 55 kg.

Pintle hook holes  $\varnothing$  12.7 mm - Pattern 86 mm X 44.3 mm

Pintle hook coupling & 50 mm ball not included - shown for illustration purpose only

