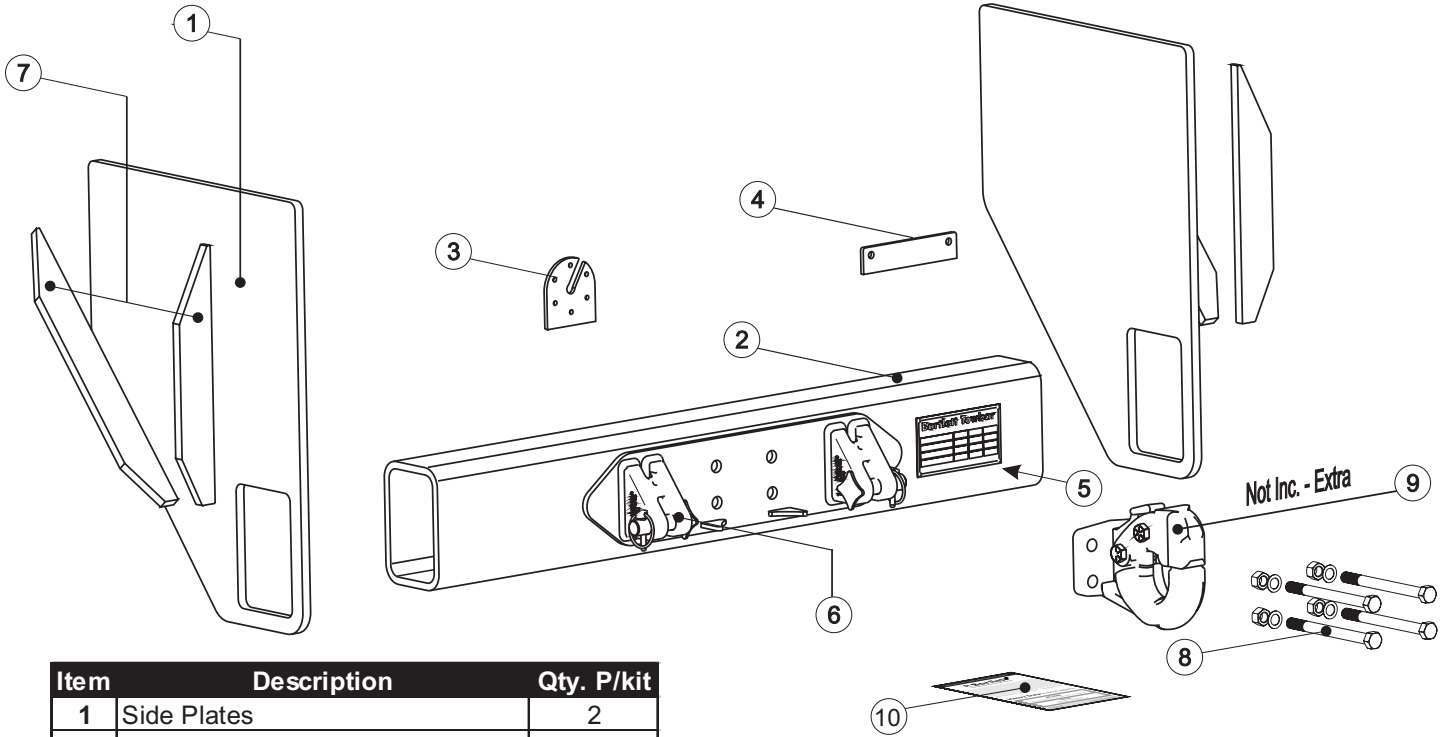


BT1300H

Suits Approved Pintle Hooks

Max. 15 000 kg ATM



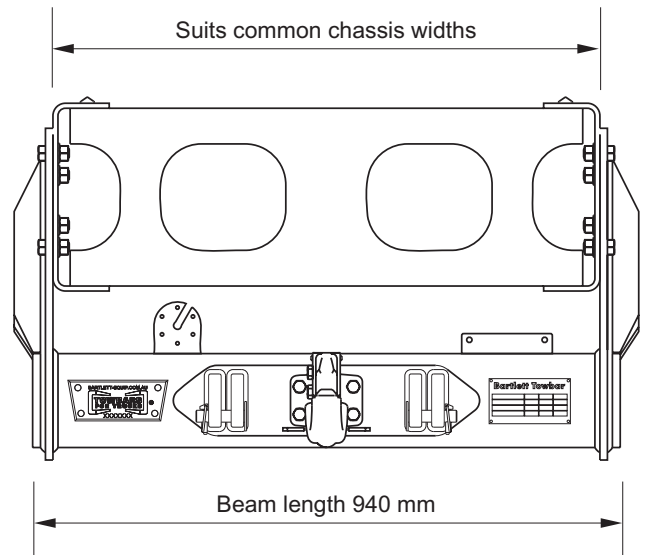
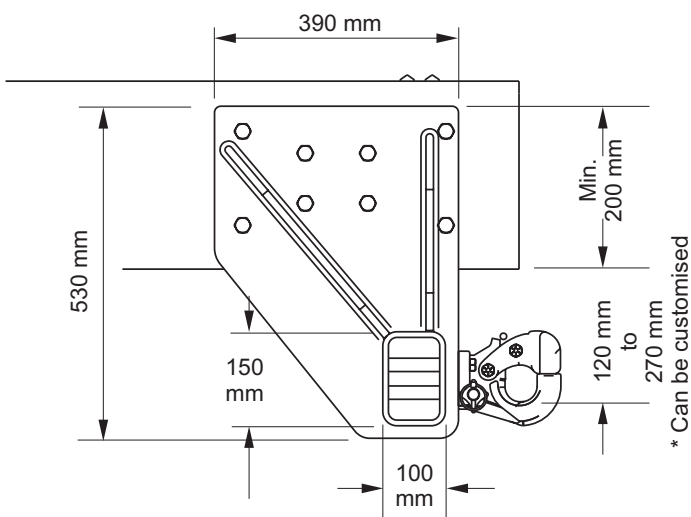
Item	Description	Qty. P/kit
1	Side Plates	2
2	Cross member	1
3	7 Pin Base Mount Plate	1
4	Air Coupling Mount Plate	1
5	Rating Plate & Studs	1 Set
6	16 mm Safety Chain Attachments	1 Pair
7	Sideplate stiffeners	4
8	Coupling Mounting Bolts	1 Set
9	Pintle Hook Coupling	Not Inc.
10	Detailed instruction booklet	1

Rating:
Max. 15 000 kg A.T.M.

Shipping Mass Inc Pallet = 80 kg.

Pintle hook holes \varnothing 14.5 mm - Pattern centres 85.7 mm X 44.5 mm

Pintle hook coupling not included - shown for illustration purpose only



* Sideplate mounting holes/bolts and pintle hook coupling not included - shown for illustration purpose only

*BTI reserves the right to alter specifications without notice.