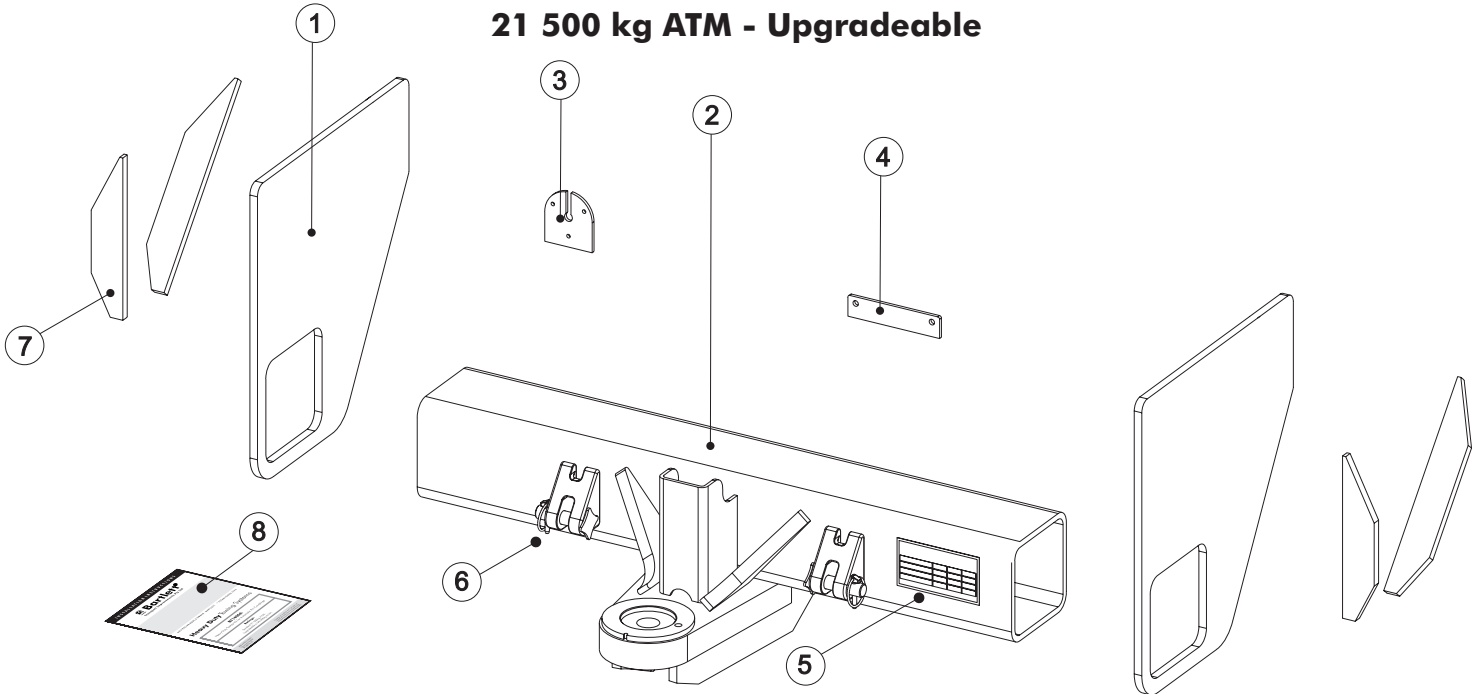


BT1400B

Suits Bartlett® 127 Ball
21 500 kg ATM - Upgradeable

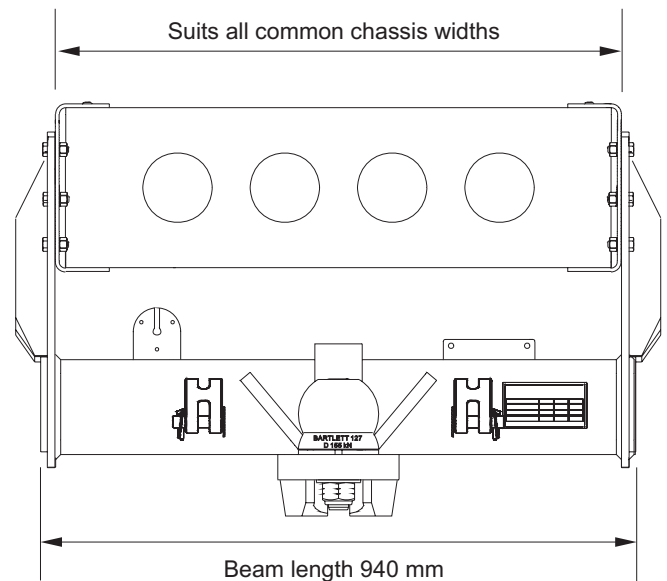
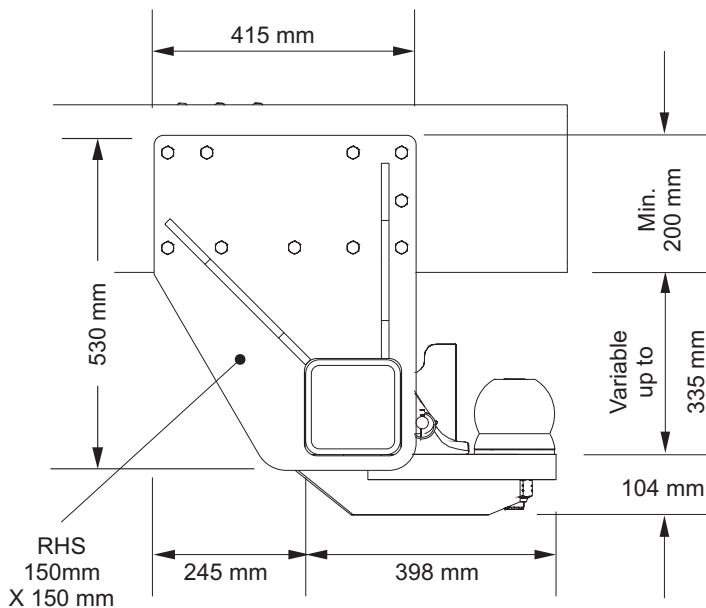


Item	Description	Qty. P/kit
1	Side Plates	2
2	Crossmember Assembly	1
3	7 Pin Base Mount Plate	1
4	Air Coupling Mount Plate	1
5	Rating Plate & Studs	1 Set
6	16mm Safety Chain Attachments	2
7	Sideplate Lateral Braces	4
8	Detailed Instruction booklet	1

Ratings:

Standard 21 500kg A.T.M
 Upgradeable to 24 000 kg. ATM

Shipping Mass Inc. Pallet = 112 Kg.



* Bartlett 127 ball, sideplate mounting holes and all bolts shown for illustration only - not included

**BTI reserves the right to alter specifications without notice.