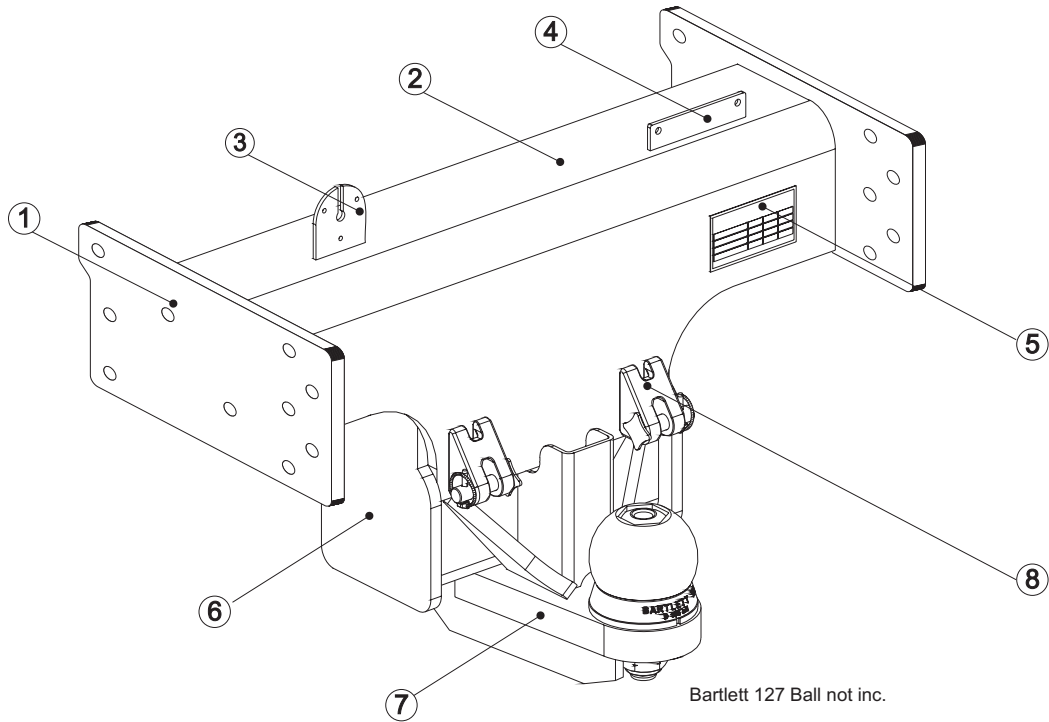


### BT1700B

Suits Bartlett 127 coupling

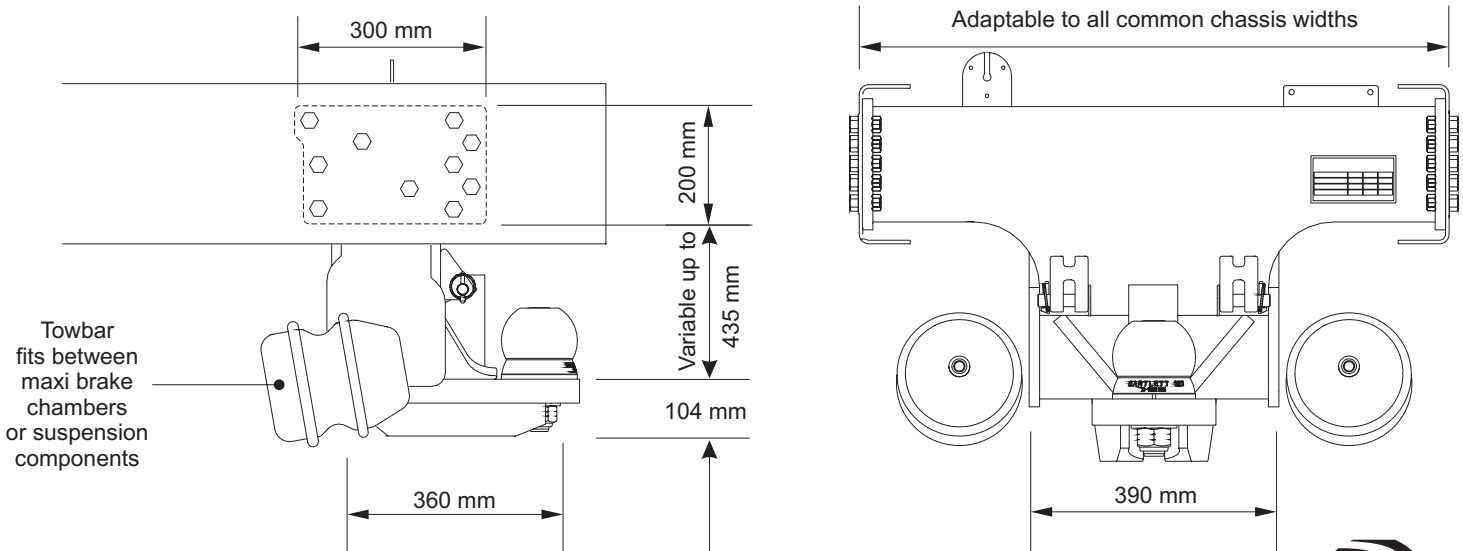


Bartlett 127 Ball not inc.

| Item | Description                     | Qty. P/kit |
|------|---------------------------------|------------|
| 1    | End Plates                      | 2          |
| 2    | Upper cross member / faceplate  | 1          |
| 3    | 7 Pin Base Mount                | 1          |
| 4    | Air Coupling Mount Plate        | 1          |
| 5    | Rating Plate & Studs            | 1 Set      |
| 6    | Dropper Plates                  | 2          |
| 7    | Lower Sub Assembly              | 1          |
| 8    | ADR 62 Safety Chain Attachments | 1 Set      |

Rating:  
21.5 tonnes A.T.M., upgradeable to  
24 tonnes [or 30 tonnes for dog trailers]

Instructions Supplied



\* Ball Kit, end plate mounting holes and bolts not included - Shown for illustration only

\*\*BTI reserves the right to alter specifications without notice.