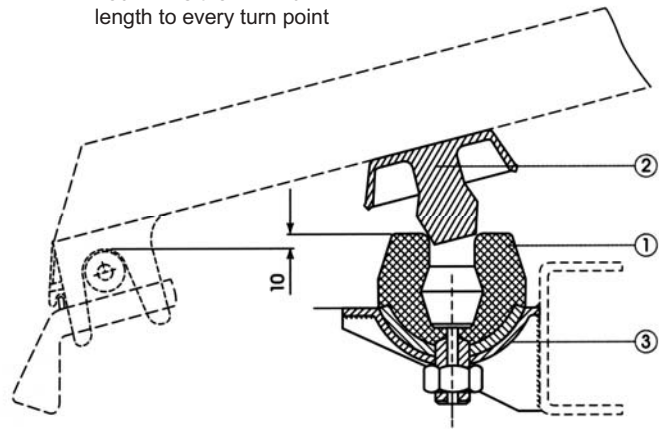
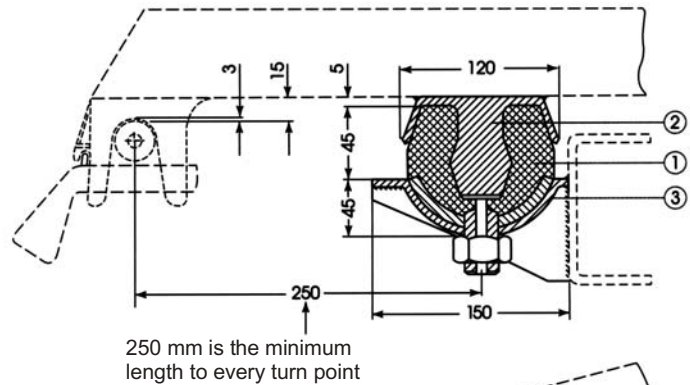
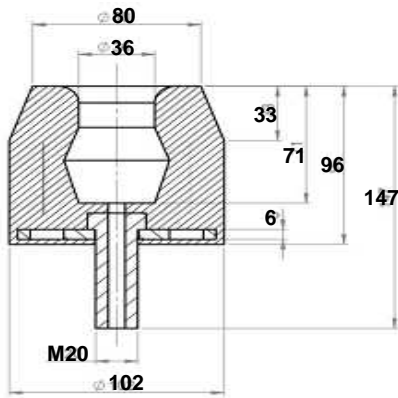


POLYP GRIPPING DEVICE SPECIFICATIONS

Flat Bottom unit.



Force Required to Assemble 250-300 kgs (3140 N)
Force Required to Seperate 300-350 Kgs (3728 N)

Suitable for:

- Two way tipping trailers
- Three way tipping trailers
- Tipper
- All kinds of reversing tippers

The application of the polyp gripping device enables elastic seating and support of the tipping bridge. At the same time the polyp gripping device serves also as a holding down equipment.

By installing the polyp gripping device, a jumping of the tip-bridge, while driving on bad road conditions, is entirely impossible.

Depending on the size of the vehicles, 2-4 polyp gripping devices are required.

The polyp gripping device consists of:

- Elastic gripping body with hollow screw
- Conical bearing shell with a pivot
- Lower shell for mounting at the vehicle frame

Polyp Gripping devices are long-proven and effective solutions against noise nuisance.

Part No:

Poly Rubber Gripping Device Steel 14.1046S
Poly Rubber Gripping Device Alum 14.1046A

1. Polyp Rubber 14.1047
2. Polyp Rubber-Pin Steel Thorn/S
2. Polyp Rubber-Pin Alum. Thorn/A
3. Polyp Rubber-Cup 14.1049

Also available with Flat Bottom Mount
14.1047Flat

